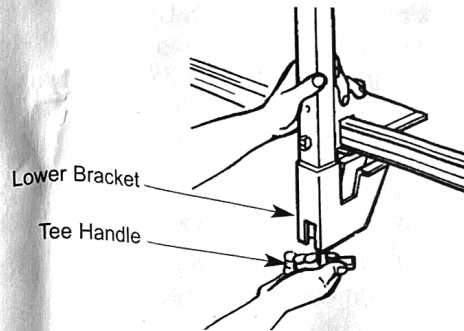


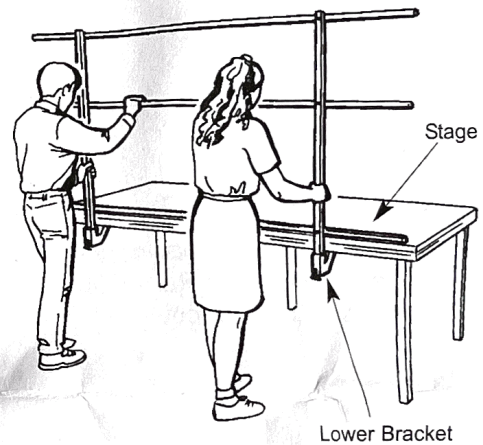
ASSEMBLY CONTINUED

ATTACH GUARD RAILS TO A STAGE

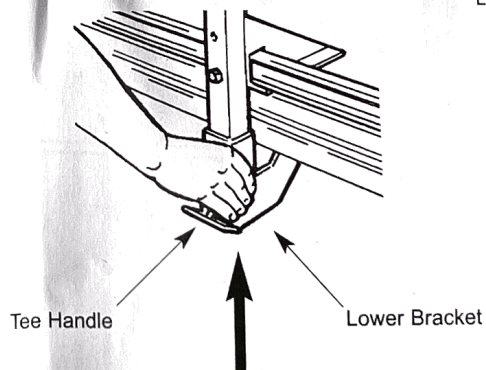
1. Unscrew the Tee Handle at the bottom of each Upright until pulling the Tee Handle toward you allows the Lower Bracket to drop.



2. Place the Guard Rail onto the Stage with the Lower Bracket on each Upright positioned below the deck surface as shown at the right.



3. Lift the Lower Bracket on each Upright until the Tee Handle drops down.



4. Turn a Tee Handle until the Lower Bracket is tight against the Stage Deck.
5. Repeat step 4 on the other Tee Handle and Lower Bracket.

